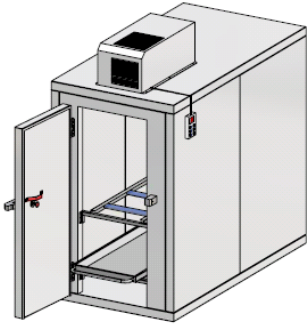
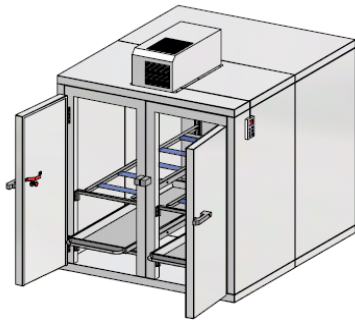


Morgue refrigeration unit with big doors 2-levels KZM 40/200 – KZM 40/400



Morgue refrigeration unit KZM 40/200
To storage 2 body trays in 2 levels
1 Door 680 x 1700 mm
Made of 80 mm CFC -free polyurethane rigid
Foam, coated outside steel
Dimensions W/D/H: 1210 x 2260 x 1960 mm
Article No.: 040.010.011



Morgue refrigeration unit KZM 40/400
To storage 4 body trays in 2 levels
2 Doors 680 x 1700 mm
Made of 80 mm CFC -free polyurethane rigid
Foam, coated outside steel
Dimensions W/D/H: 1910 x 2260 x 1960 mm
Article No.: 040.010.029

Accessoires:

limited opening made of stainless steel with rubber buffer

opening angle: approx. 120 degree

Article No.: 040.081.020



TekEquipment™

Ph: 1300 368 138

www.tekequipment.com.au

info@tekequipment.com.au

TekMed NZ™

Ph: 0800 456 217

info@tekmed.co.nz

www.tekmed.co.nz

KUGEL medical GmbH & Co. KG
Hermann-Köhl-Str. 2A
DE - 93049 Regensburg

Telefon 09 41/20 86 48-0
Telefax 09 41/20 86 48-29
www.KUGEL-medical.de



KUGEL
medical
■ ■ ■ ■